

For easier door specifications or product questions call our Consulting Service 1-866-499-6781.



Ideal for interior counters, checkrooms, ticket offices, information centers and other service locations. Available in five rich, warm woods, such as oak, cherry, birch and others. Sizes are available in widths up to 15' 9" and heights up to 8' 0". For larger sizes, consult factory. Shutter coils upward cylindrically, and can be housed above a hung ceiling or in a rectangular wood closure. Manual push-up, crank or motor operation available. Removable mullions are used to divide wider openings.

WOOD ROLLING  
COUNTER SHUTTERS



MAHOGANY



CHERRY



FIR



OAK



BIRCH



For easier door specifications or product questions call our Consulting Service 1-866-499-6781.



Mounting Details

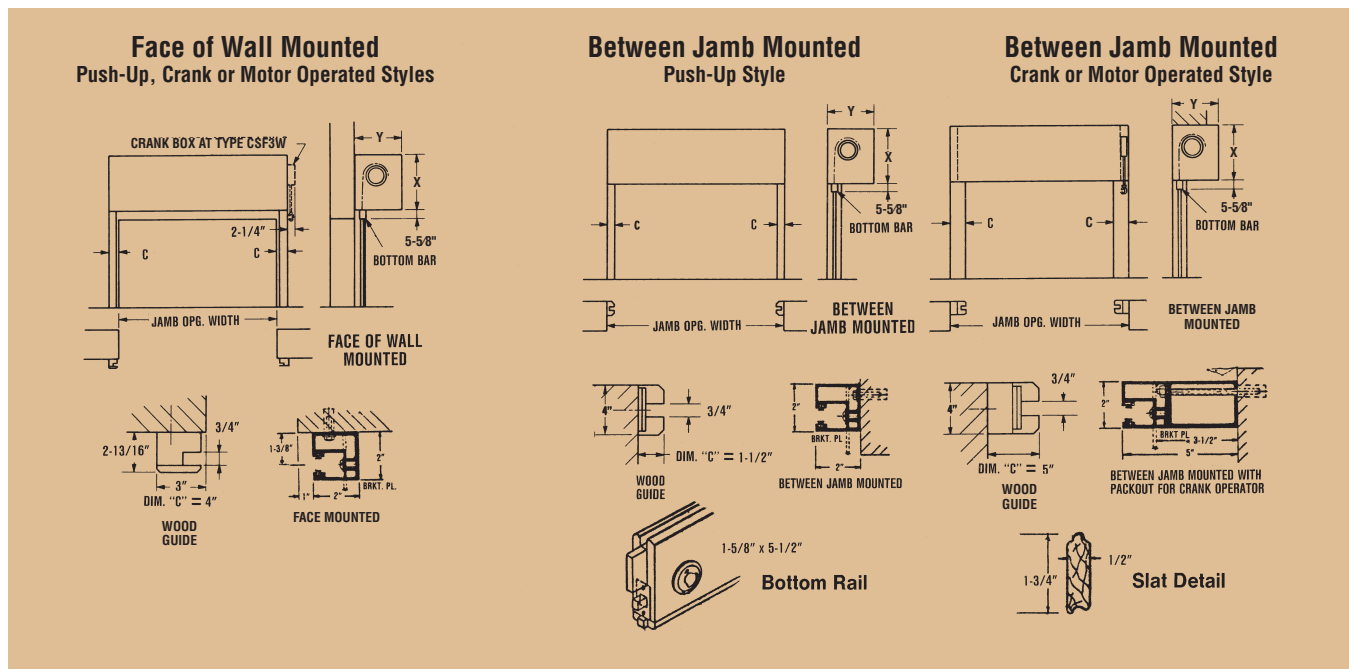
MODEL NO. CHART  
Wood Counter Shutters

	Face-of-Wall Mount	Between-Jamb Mount
Manual	CSF1W	CSB1W
Crank	CSF3W	CSB3W
Motor	CSF8W	CSB8W

Clearance Details

Opening Height	X	Y
0' 0" to 4' 4"	9½"	10"
4' 6" to 6' 4"	10½"	11"
6' 4" to 8' 4"	14"	14"
Over 8' 4"	Consult	Factory

Note: 15' 9" maximum width



GENERAL SPECIFICATIONS FOR WOOD ROLLING COUNTER SHUTTERS

PART 1 GENERAL

- 1.01 Work Included—The wood rolling counter shutters will be Wayne-Dalton Model \_\_\_\_\_ as supplied by Wayne-Dalton Corp.
- 1.02 Related Work—Opening preparation, miscellaneous or structural metal work, access panels, finish or field painting, field electrical wiring, wire, conduit, fuses, and disconnect switches are in the Scope of Work of other divisions or trades.

PART 2 PRODUCT

- 2.01 Curtains will consist of double rabbeted wood slats 1¾" high x ½" thick, interlocked by concealed, continuous aircraft cables, reinforced at bottom with a 5⅝" x 1⅝" rail. This rail will house cable tensioning and adjusting assembly. Curtain will be fabricated of quality selected (mahogany) (cherry) (fir) (oak) (birch) as standard material.
- 2.02 Guides will be of same wood as curtain or aluminum.
- 2.03 Counterbalancing by helical torsion springs enclosed in a pipe shaft which is to rotate in sealed ball

- bearings supported by a bracket plate.
- 2.04 (Hoods) (soffits) (fascias) of wood matching curtain bottom rail will be (by shutter manufacturer) (by others).
- 2.05 Finish of wood will be by others.
- 2.06 Operation: Rolling shutters will be operated by means of (manual push-up) (crank) (electric motor).

PART 3 EXECUTION

- 3.01 Install the rolling wood counter shutter in accordance with Wayne-Dalton Corp. instructions and standards. Installation and maintenance will be by authorized Wayne-Dalton representative.

Because of continuing product improvements, we reserve the right to change the product specifications and designs without prior notice.